

QUADRANT CLOCK

User Manual

[en] Instructions for installation and use



www.emspec.design

Table of Contents

Introduction	4- 5
Descriptions	6-7
Installation	8- 9
Time Display	10- 11
Function & Operation	12
Trouble Shooting	13
Repairs	14
Important Safety Information	14
Cleaning & Maintenance	15
Technical Specifications	15
Warranty	15

Introduction

Read this user manual carefully before using QUADRANT CLOCK for the first time in order to ensure proper operation. Please proceed according to the instructions. You can find this instruction document online at www.emspec.design/support.

The package contains

- QUADRANT CLOCK
- USB Type-C cable 2m
- European USB plug adaptor
- Wall mount
- Stainless steel knurled thumb screw
- Screws
- Wall plugs
- Instruction template
- User manual
- Cotton gloves
- Duster
- Leather holder

WARNING! The QUADRANT CLOCK installation requires at least two people. Installation issues should be diagnosed by an expert technician in advance. Installation work should only be carried out by qualified technicians. All instructions in the guide must be followed step by step. EMSpec is not liable for improper installation of QUADRANT CLOCK.

WARNING! Please ensure that the wall have sufficient load-bearing capacity for the 5 kg weight of the QUADRANT CLOCK.

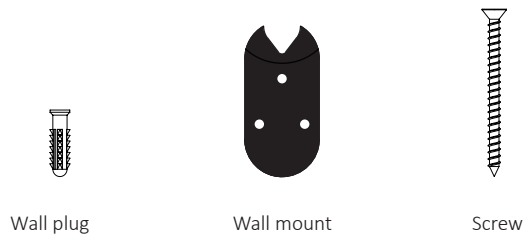
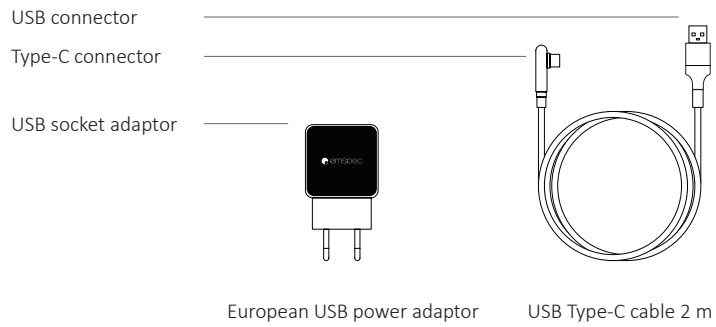
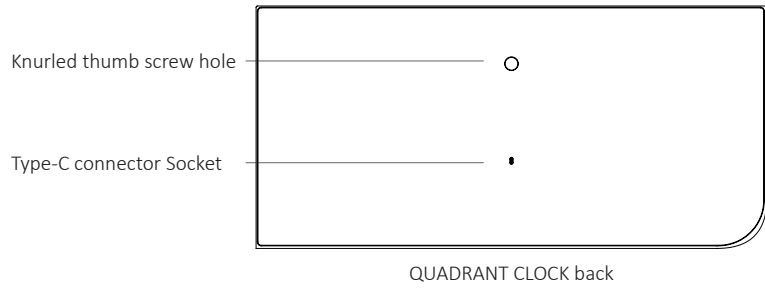
WARNING! Selecting the right type of screws and wall plugs depending on the construction of the wall. The enclosed screws and wall plugs are suitable for concrete wall.

Required tools and materials

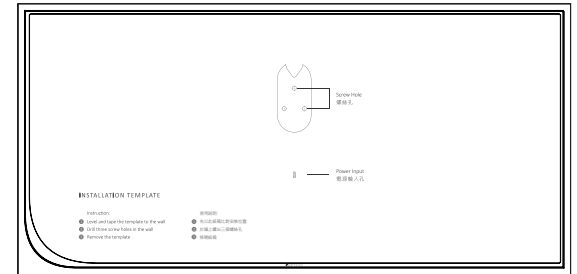
Before installing QUADRANT CLOCK, please ensure that you have all the following components and tools.

- Instruction template
- Appropriate screws and wall plugs
- Power drill with the right drill bit
- Cordless screwdriver or screwdriver
- Pocket rule
- Spirit level
- Tape

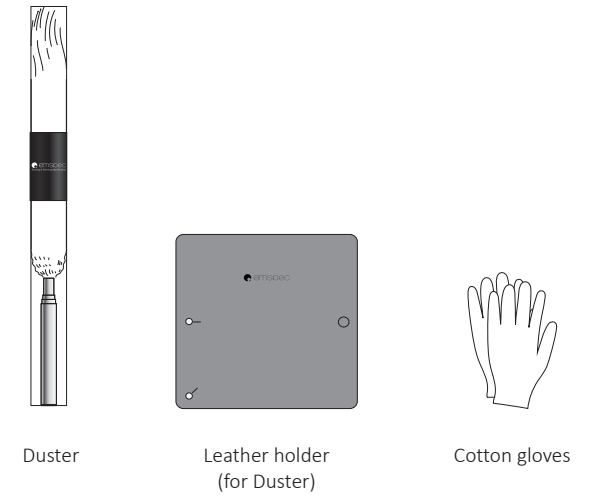
Descriptions



Instruction Template



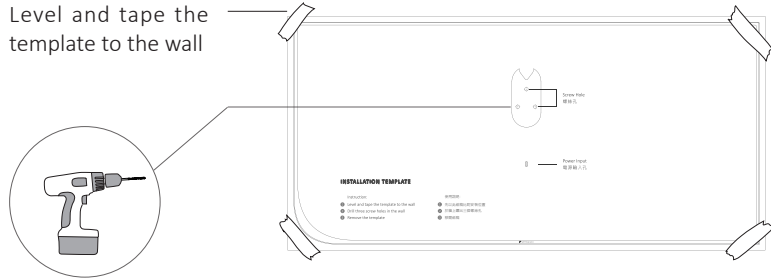
Cleaning & Maintenance tools



Installation

1. Drilling

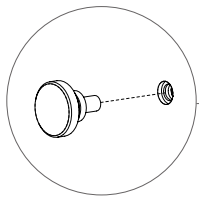
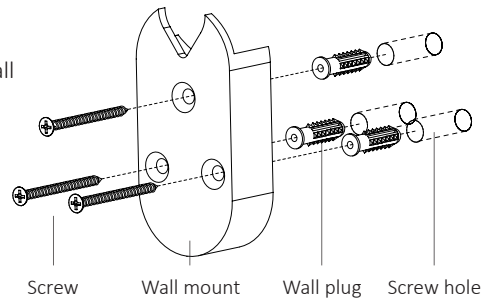
Level and tape the template to the wall



Drill three screw holes in the wall and remove the instruction template

2. Wall mounting

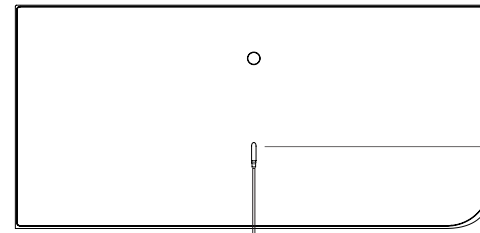
Fix the wall mount on the wall



Put the knurled thumb screw on the back of QUADRANT CLOCK

QUADRANT CLOCK back

3. Electrical Connection

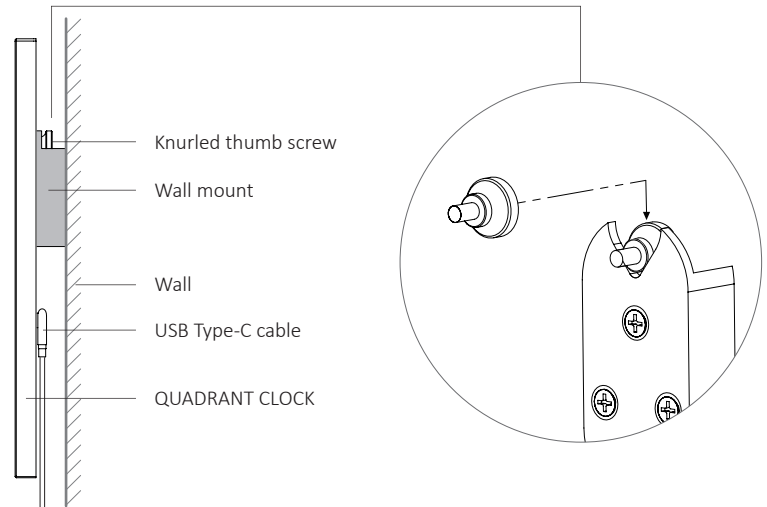


QUADRANT CLOCK back

Insert the the Type-C connector into the Type-C connector Socket



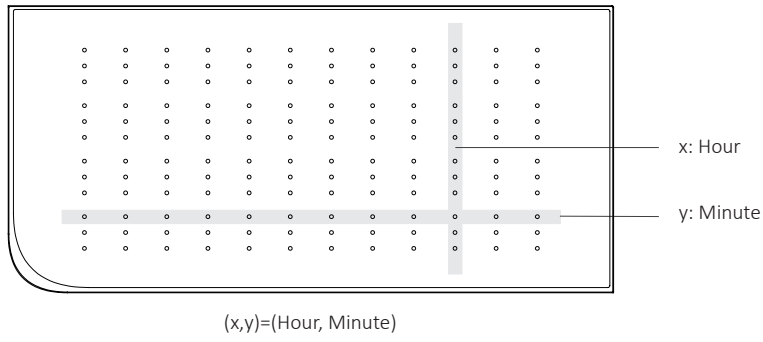
Connect the USB Type-C cable with the USB power adaptor



Side View

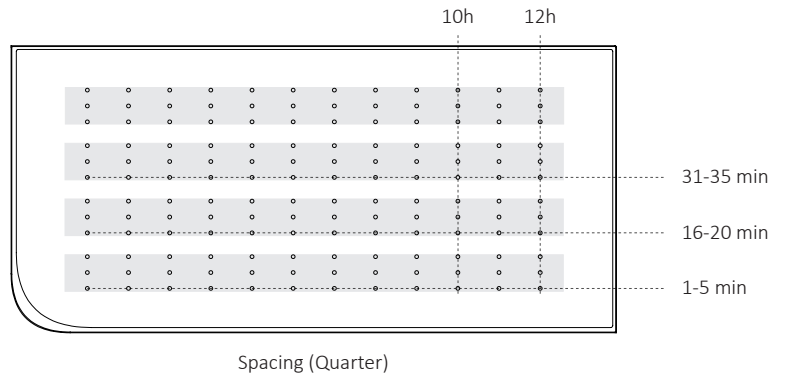
- Hang the QUADRANT CLOCK on the wall mount
- Insert the power supply cable into a plug socket

Time Display



Hour light (X axis)

- From the left to the right
- The first row in the vertical direction is one o'clock, the second row is two o'clock, and so on. At ten o'clock, the hourlight is on the tenth row.



Minute light (Y axis)

- From the bottom to the top
- The first columns in the horizontal direction is 1-5 minute.
- When every 1 minute passes, the brightness of the light is increasing by one-fifth per minute.

Function & Operation

APP control

With the built-in Bluetooth, you can simply use your smartphone as a remote control.

- Make sure that you have turned on the Bluetooth and pair with QUADRANT CLOCK.
- Close the app and then re-open and try again.
- Make sure that your device has the latest version of the software.



Light Show

Touch this button to switch on/ off the light show.



Time Calibration

Touch this button to adjust the time.



Light Mode



Power On/ Off



Brightness Control

Set different lightness level to adapt various environment.



Requires iOS 11.1 or later



Requires Android 4.3 and up

Trouble Shooting

Problem	Solution
Not turn on	<ul style="list-style-type: none">• Use the adaptor and type-C USB Cable officially provided by EMSpec only.• Visually inspect the Type-C USB cable for damage. Do not use if frayed, cut, or damaged in any way.• Make sure that the power cable is firmly plugged in and the power outlets are switched on.• Confirm the wall power outlet is active (receiving power). Try a different power outlet.
Incorrect time display	<ul style="list-style-type: none">• If the clock isn't showing the correct time, go double-check the time setting on our APP (under the setting section) and make sure the time is set properly and that you have "set time automatically " turned on.
No light show	<ul style="list-style-type: none">• If the clock isn't showing the light show when it's turned on/off or every hour, go double-check the APP light show setting and make sure that you have turned on the light show.
Remote App not working	<ul style="list-style-type: none">• Make sure that you have turned on the Bluetooth and pair with QUADRANT CLOCK.• Close the app and then re-open and try again.• Make sure that your device has the latest version of the software.

This section provides a list of solutions for common problems with QUADRANT CLOCK. If your issue is not addressed in this section or any further problem persists, please contact our support team.

Repairs

- Repair work should only be carried out by a certified expert or repair technicians.
- Never try to dismantle the QUADRANT CLOCK yourself.
- Never attempt to repair the QUADRANT CLOCK or replace any of its components yourself. If any parts of your product require replacement, please contact the manufacturer.

Important Safety Information

Please read and follow all safety instructions.

- Indoor use only.
- Dry locations only.
- Do not use in hazardous areas.
- If the product is damaged or defective, stop using the product immediately.
- Turn off the power immediately in the event of abnormalities such as smoke or unusual odors being emitted. Be sure to unplug the power plug from the outlet and be careful to avoid electric shocks or burns.
- Do not damage, alter, excessively bend, twist, pull or heat the power cord.
- Never handle the plug with wet hands. It may cause result in receiving an electric shock.
- Before cleaning or maintenance operations, always unplug from the wall outlet.

Cleaning & Maintenance

- We recommend that it is preferable to handle cleaning works wearing cotton gloves.
- Dust first with a duster. Make sure there is no dust on the surface of the QUADRANT CLOCK to avoid scratching.
- Clean gently with a soft wiping fabric dipped with alcohol.

Technical Specifications

Dimension	W 80 cm * H 38 cm * D 3.8 cm
Material	aluminium, acrylic
Weight	5kg
Manufacture	Taiwan
Rated Wattage	MAX 25W
Rated Voltage	100V~ 240V
Product Input Voltage	5V
Operating Temperature	-10°C~ 50°C
Color Temperature	3000K

Warranty

QUADRANT CLOCK is backed by a 2-year warranty from the date of purchase. The repairs cover failures due to defects in material and workmanship.

Our manufacturing warranty excludes claims resulting from scratches or general wear and tear, not following instructions. Our warranty also does not cover damage caused by human factors, accident, and natural calamities.

QUADRANT CLOCK should only be serviced by qualified professionals at the place of purchase or at the EMspec service center in accordance with the terms of the EMspec warranties.



QUADRANT CLOCK

Designed by EMSpec / Made in Taiwan

EMSpec 2019 © All rights reserved

www.emspec.design